

# Uchi®

## 广东宇弛电子有限公司

Guangdong Uchi Electronics Co, Ltd

贴片压敏电阻器  
SMD Zinc Oxide Varistor

贴片安规电容器  
SMD Y Capacitors

贴片热敏电阻器  
SMD NTC Thermistor



## 贴片Y电容

SMD-Y Capacitors

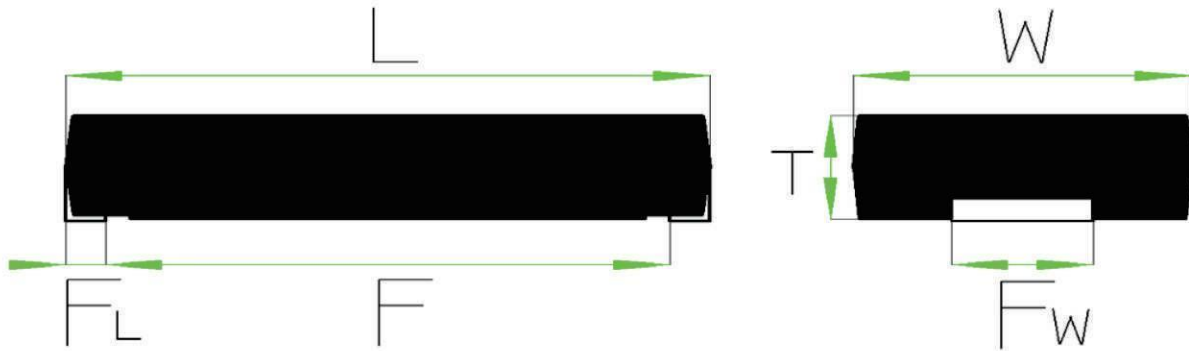


**大容量 高耐压**

## 结构与尺寸

Structure and Dimensions

(单位 Unit :mm)

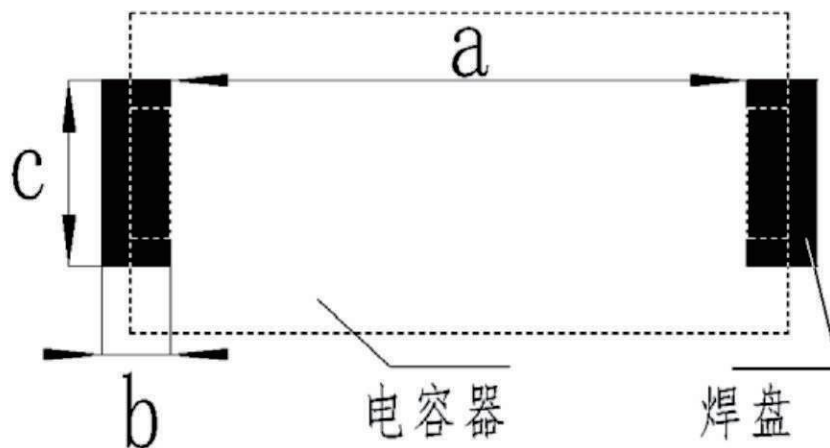


规格	L	W	T	F	FL	FW
500VAC	11.4 ± 0.3	6.0 ± 0.3	2.4 ± 0.1	10 ± 0.3	0.7 ± 0.3	2.5 ± 0.3

(单位 Unit :mm)

## 焊盘尺寸

Dimensions



尺寸	a	b	C
11.4x6.0	10	2.2	3.6

## 品名说明

Part No.Explain

SMD-3 Y1X1 Y5P 102 K 500VAC C S  
① ② ③ ④ ⑤ ⑥ ⑦ ⑧ ⑨

序号 NO	代码	表示说明
①	SMD	塑封贴片型
②	3	1代表：内部1个芯片 2代表：内部2个芯片串联 双Y专利号：ZL 2021 2 0745266.4 3代表：内部2个芯片并联 专利号：ZL 2021 2 1194394.0
③	Y1X1	安规等级
④	Y5P	容量温度特性： SL: +350~-1000ppm/°C, Y5P: ± 10%, Y5U: ( +22% ~ -56% ) Y5V: ( +30% ~ -82% )
⑤	102	标称静电容量： 102=10 x 10 <sup>2</sup> =1000pF
⑥	K	静电电容公差： J: ± 5%, K: ± 10% , M: ± 20%
⑦	500V AC	Y1X1 额定交流电压
⑧	C	内部管理码（可自定义）
⑨	S	内部管理码（可自定义）S:无铅焊锡；P: 高铅焊锡（RoSH豁免）



**规格列表**

Specification details

材质	标称容量 ( pF )	规格型号
SL	10	SMD-1Y1X1SL100J500VAC
SL	22	SMD-1Y1X1SL220J500VAC
SL	47	SMD-1Y1X1SL470J500VAC
SL	56	SMD-1Y1X1SL560J500VAC
SL	68	SMD-1Y1X1SL680J500VAC
SL	100	SMD-3Y1X1SL101J500VAC
Y5P	100	SMD-1Y1X1Y5P101K500VAC
Y5P	100	SMD-2Y1X1Y5P101K500VAC 双Y
Y5P	110	SMD-1Y1X1Y5P111K500VAC
Y5P	110	SMD-2Y1X1Y5P111K500VAC 双Y
Y5P	120	SMD-1Y1X1Y5P121K500VAC
Y5P	120	SMD-2Y1X1Y5P121K500VAC 双Y
Y5P	150	SMD-1Y1X1Y5P151K500VAC
Y5P	150	SMD-2Y1X1Y5P151K500VAC 双Y
Y5P	200	SMD-1Y1X1Y5P201K500VAC
Y5P	200	SMD-2Y1X1Y5P201K500VAC 双Y
Y5P	220	SMD-1Y1X1Y5P221K500VAC
Y5P	220	SMD-2Y1X1Y5P221K500VAC 双Y

## 规格列表

Specification details

材质	标称容量 ( pF )	规格型号
Y5P	270	SMD-1Y1X1Y5P271K500VAC
Y5P	270	SMD-2Y1X1Y5P271K500VAC 双Y
Y5P	330	SMD-1Y1X1Y5P331K500VAC
Y5P	330	SMD-2Y1X1Y5P331K500VAC 双Y
Y5P	330	SMD-3Y1X1Y5P331K500VAC
Y5P	390	SMD-1Y1X1Y5P391K500VAC
Y5P	390	SMD-2Y1X1Y5P391K500VAC 双Y
Y5P	390	SMD-3Y1X1Y5P391K500VAC
Y5P	470	SMD-1Y1X1Y5P471K500VAC
Y5P	470	SMD-2Y1X1Y5P471K500VAC 双Y
Y5P	470	SMD-3Y1X1Y5P471K500VAC
Y5P	560	SMD-3Y1X1Y5P561K500VAC
Y5P	680	SMD-3Y1X1Y5P681K500VAC
Y5P	820	SMD-3Y1X1Y5P821K500VAC
Y5P	1000	SMD-3Y1X1Y5P102K500VAC
Y5U	470	SMD-1Y1X1Y5U471M500VAC
Y5U	470	SMD-2Y1X1Y5U471M500VAC 双Y
Y5U	560	SMD-1Y1X1Y5U561M500VAC

**规格列表**

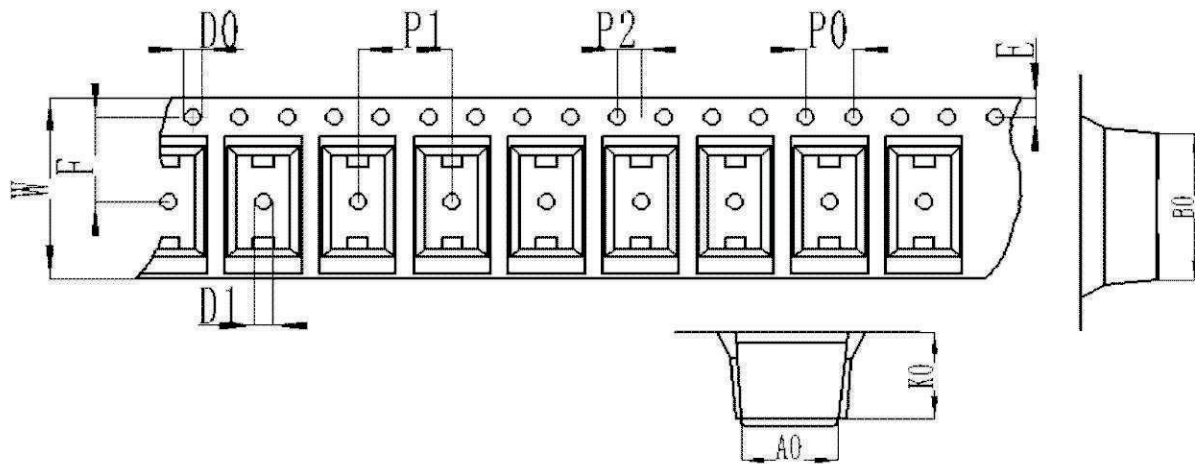
Specification details

材质	标称容量 ( pF )	规格型号
Y5U	560	SMD -2Y1X1Y5U561M500VAC 双Y
Y5U	680	SMD-1Y1X1Y5U681M500VAC
Y5U	680	SMD-2Y1X1Y5U681M500VAC 双Y
Y5U	820	SMD-1Y1X1Y5U821M500VAC
Y5U	820	SMD-2Y1X1Y5U821M500VAC 双Y
Y5U	1000	SMD-1Y1X1Y5U102M500VAC
Y5U	1000	SMD-2Y1X1Y5U102M500VAC 双Y
Y5U	1500	SMD-1Y1X1Y5U152M500VAC
Y5U	2200	SMD-3Y1X1Y5U222M500VAC
Y5U	3300	SMD-3Y1X1Y5U332M500VAC
Y5V	1000	SMD-1Y1X1Y5V102M500VAC
Y5V	1000	SMD-2Y1X1Y5V102M500VAC 双Y
Y5V	1500	SMD-1Y1X1Y5V152M500VAC
Y5V	1500	SMD-2Y1X1Y5V152M500VAC 双Y
Y5V	2200	SMD-1Y1X1Y5V222M500VAC
Y5V	3300	SMD-3Y1X1Y5V322M500VAC
Y5V	4700	SMD-3Y1X1Y5V472M500VAC

## 编带包装方式说明

Taping Packaging

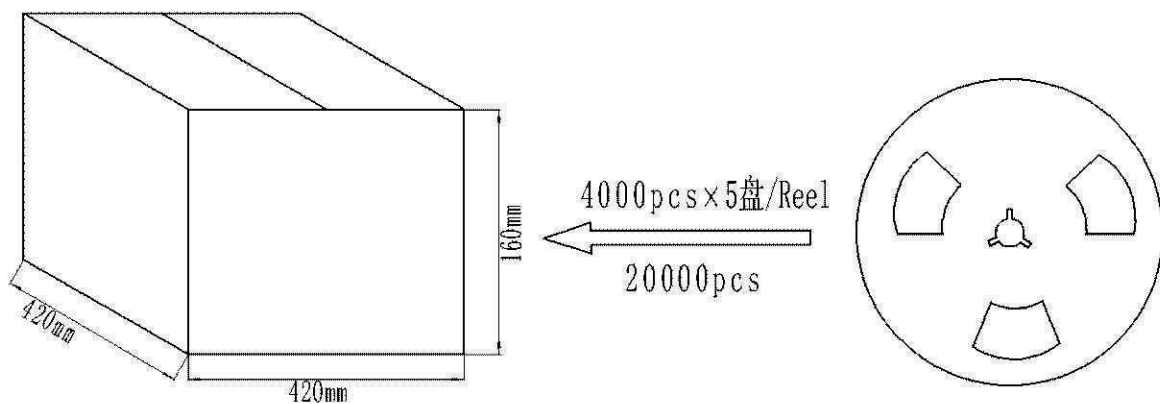
(单位 Unit: mm)



A0	B0	K0	P0	P1	P2
$6.5 \pm 0.1$	$12.2 \pm 0.1$	$2.8 \pm 0.1$	$4.0 \pm 0.1$	$8.0 \pm 0.1$	$2.0 \pm 0.05$
W	E	F	D0	D1	PCS/Reel
$24.0 \pm 0.2$	$1.75 \pm 0.1$	$7.5 \pm 0.1$	$1.5 \pm 0.1$	$1.5 \pm 0.1$	4000

## 包装纸箱

Carton Packing

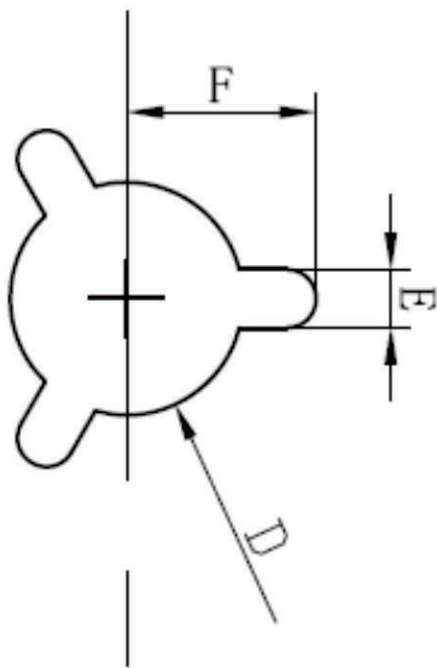
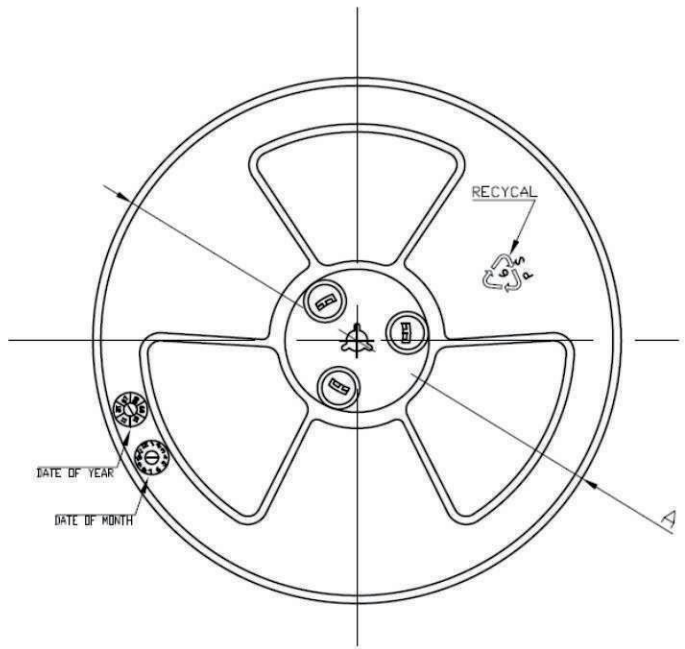
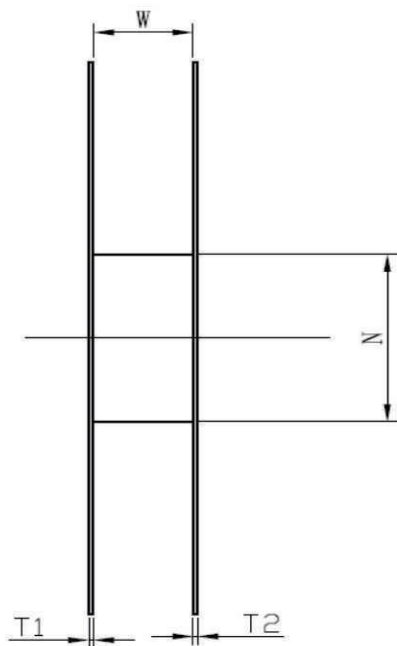




**15寸胶盘尺寸**

15 inch plastic tray size

(单位 Unit: mm)



SPEC	
W	24.4 ± 0.3
N	Φ100 ± 3.0
T1	2.2 ± 0.3
T2	2.2 ± 0.3
A	Φ380 ± 3.0
D	13.3 ± 0.3
E	2.3 ± 0.5
F	10.75 ± 0.5

*Uchi*®  
宇弛电子

广东宇弛电子有限公司

Guangdong Uchi Electronics Co, Ltd



<http://www.uchidg.com/>

Tel: 86-769-86183707    Fax: 86-769-85625751  
Mobile: (+86) 13925862052(whatsapp/wechat)  
Skype: uchi\_anna  
<http://www.uchidg.com/>  
Email: Anna@uchidg.com